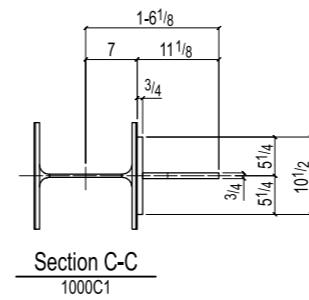
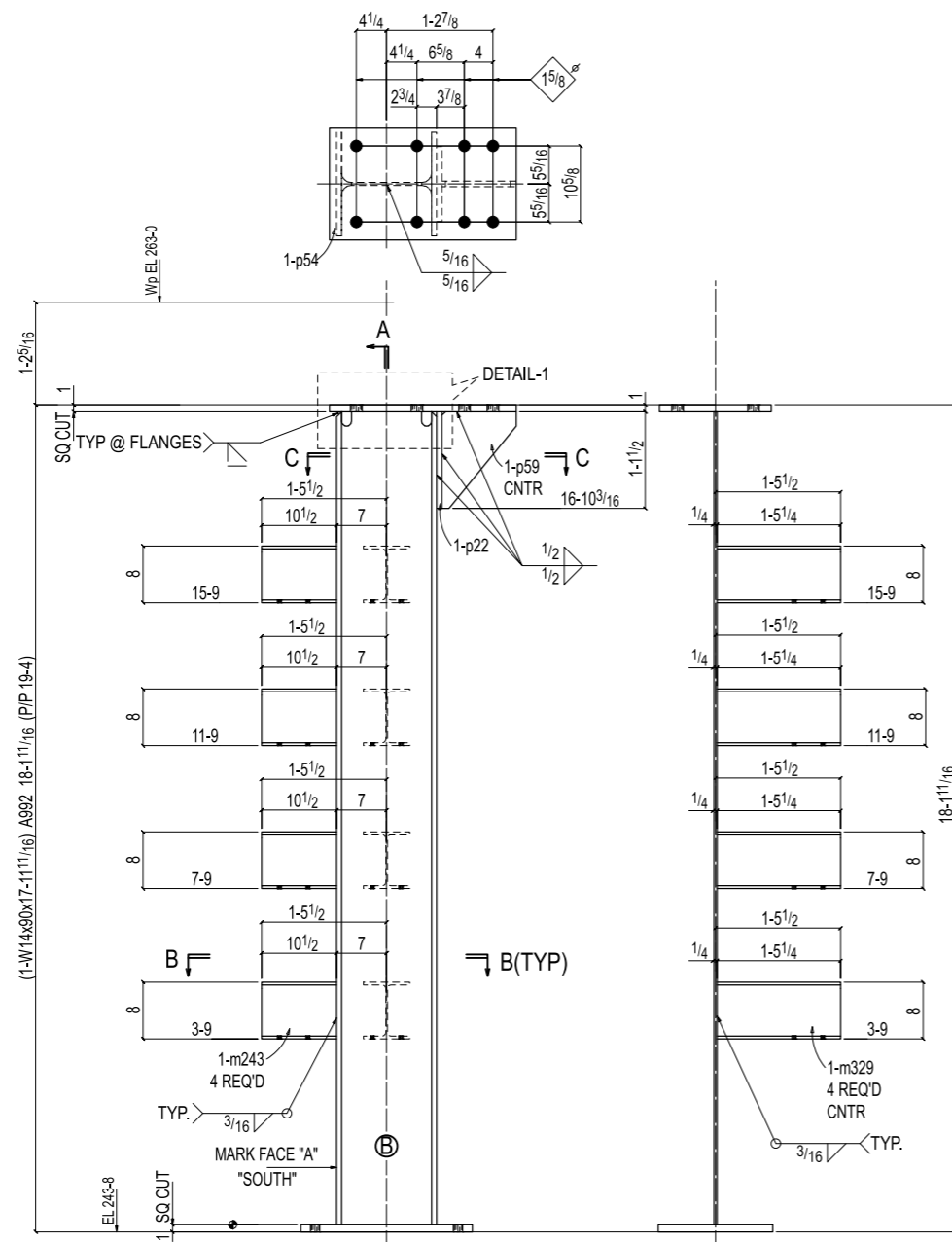
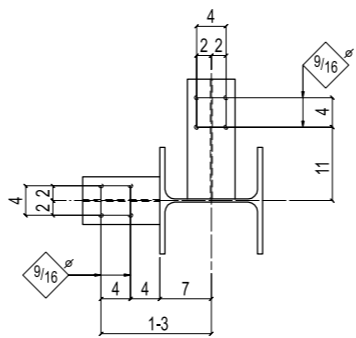


BILL OF MATERIAL

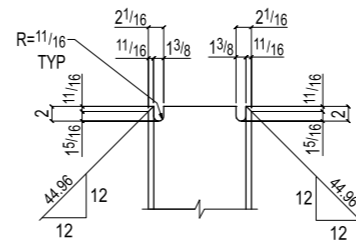
SEQ NO	SEQ QTY	MILL ORD.	SHIPPING MARK	NO	DESCRIPTION	LENGTH		ASSEM. MARK	REMARKS
						FT	IN.		
1	1	1-6	1000C1	ONE	COLUMN				
					1 W14x90	17	11 11/16	1000C1	SPEC A992
					4 M8x24	1	5 3/4	m329	1-12 A992
					4 M8x24	0	10 1/2	m243	1-13 A992
					1 PL1x16	2	0	BP1	A572-50
					1 PL1x15 5/8	2	2 1/4	p54	A572-50
					1 PL 3/4x10 1/2	1	1 1/2	p22	A572-50
					1 PL 3/4x10 3/4	1	1 1/2	p59	A572-50



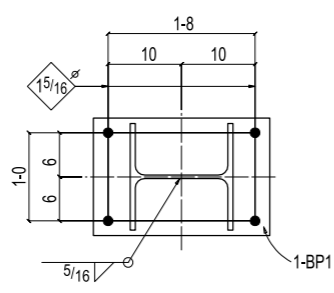
Section C-C
1000C1



Section B-B
1000C1



DETAIL-1



ONE COLUMN 1000C1

W 14x7 1/16
F 14 1/2x11 1/16

AT GRID:
B & 1

Section A-A
1000C1