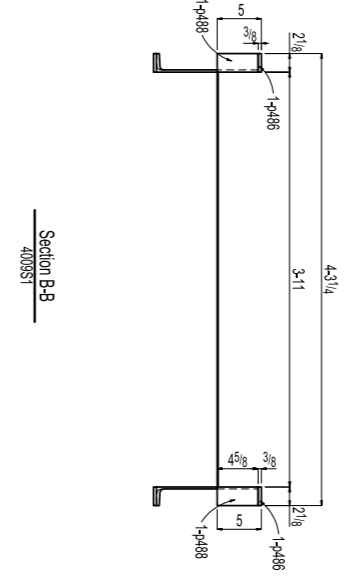
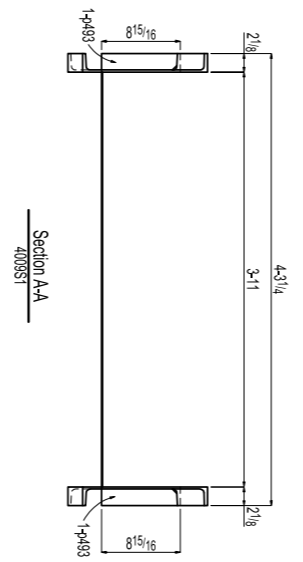
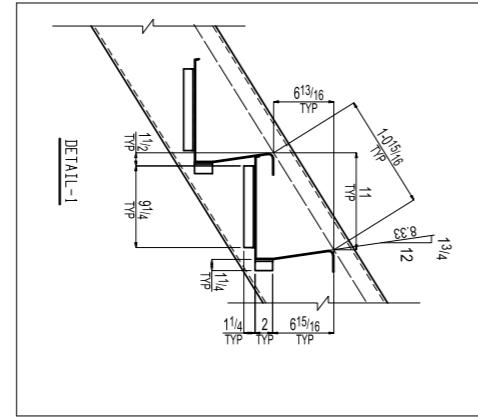
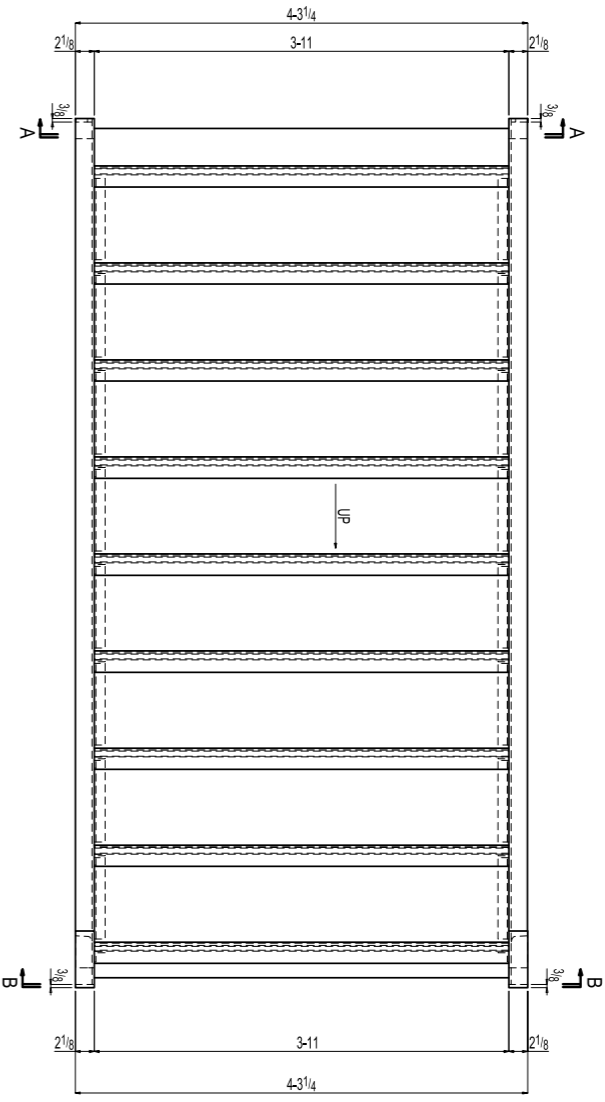
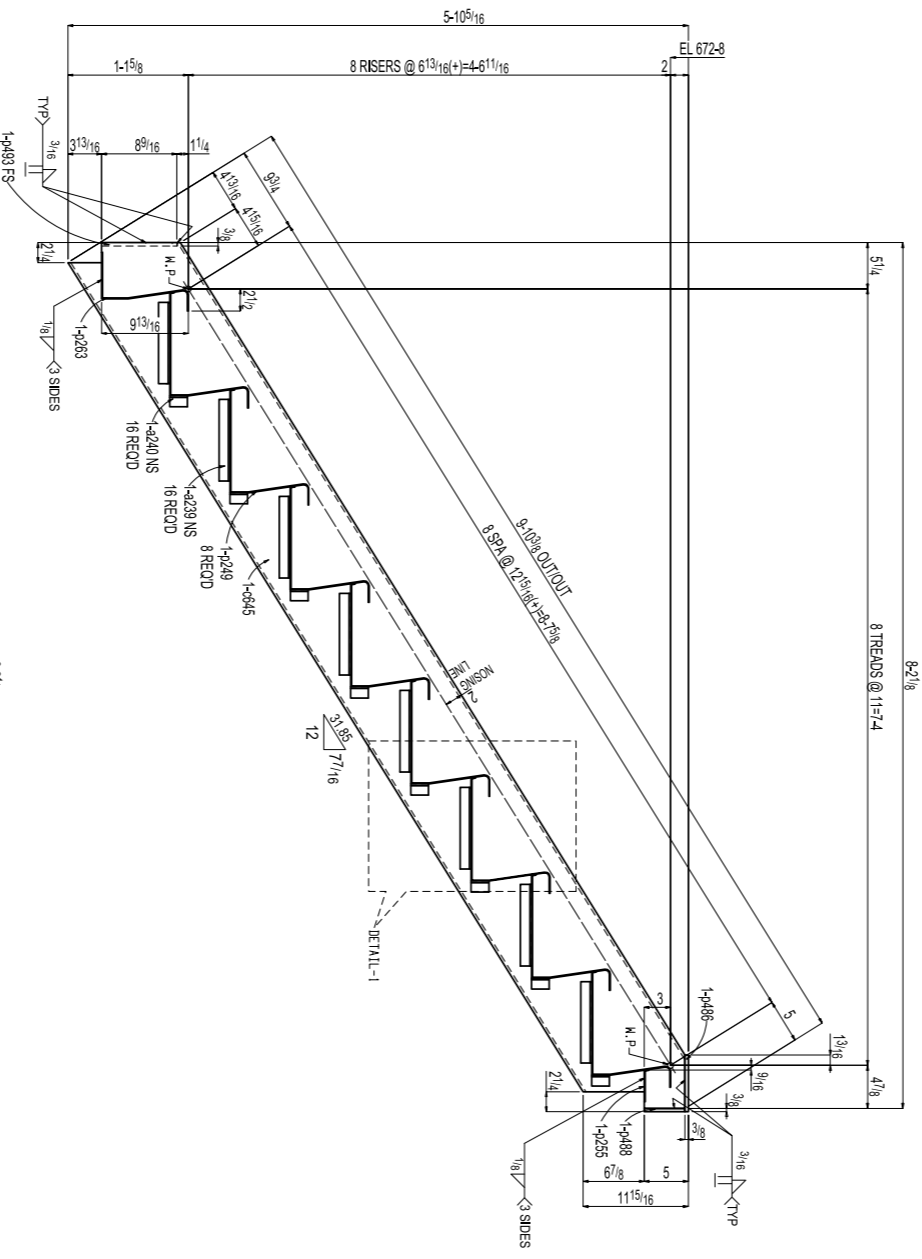
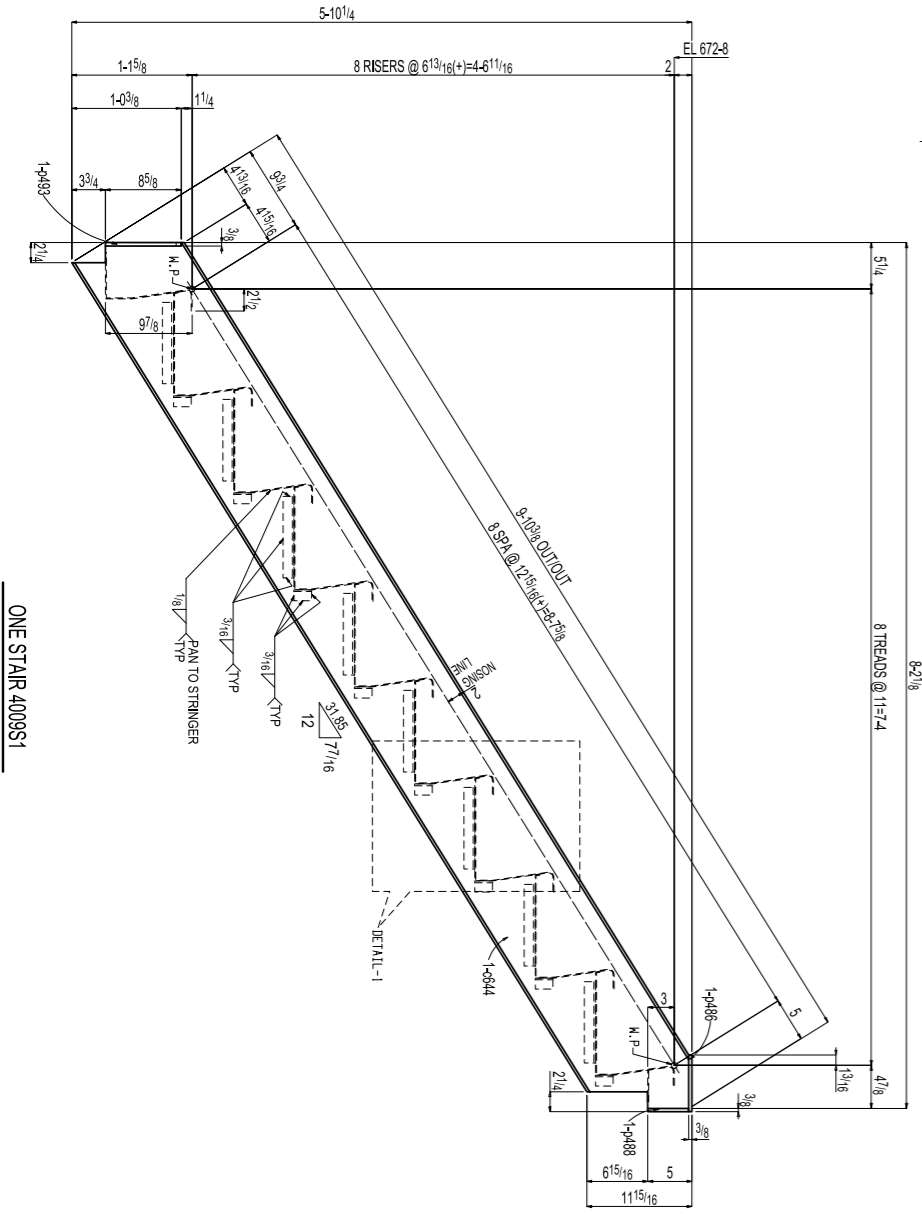


BILL OF MATERIAL

SEQ NO	QTY	PC MARK	DESCRIPTION	LENGTH	REMARKS	WEIGHT TOTAL	ADVANCE MILL #
4	ONE	4009S1	STAIR			601	
1	645		MC12x14.3	9 10 ⁵ / ₁₆	A36	141	
1	644		MC12x14.3	9 10 ⁵ / ₁₆	A36	141	
16	a239		L1 ¹ / ₂ x1 ¹ / ₂ x3 ¹ / ₁₆	0 9 ¹ / ₄	A36	18	
16	a240		L1 ¹ / ₂ x1 ¹ / ₂ x3 ¹ / ₁₆	0 2	A36	4	
2	p486		PL3 ¹ / ₂ x2 ¹ / ₈	0 6 ⁷ / ₁₆	A36	3	
2	p488		PL3 ¹ / ₂ x2 ¹ / ₈	0 4 ⁹ / ₁₆	A36	2	
2	p493		PL3 ¹ / ₂ x1 ⁷ / ₈	0 8 ⁹ / ₁₆	A36	3	
8	p249		PL12GAx47	1 11 ¹ / ₁₆	BENT A36	257	
1	p263		PL12GAx47	1 5 ⁹ / ₁₆	BENT A36	24	
1	p265		PL12GAx47	0 4 ⁹ / ₁₆	BENT A36	6	



ONE STAIR 4009S1